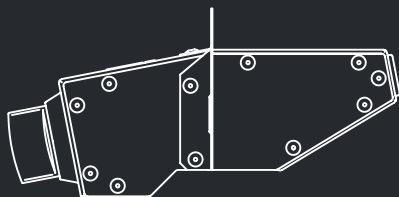


ooni



# GAS BURNER FOR OONI 3

MANUAL



For use with LPG (Propane) Gas only.

Use only with supplied Gas regulator.

Register your Ooni 3 Gas Burner FSD at  
**ooni.com**

For the full user guide, cooking  
instructions, tips and tricks please visit  
**ooni.com**

## **Safety Legal Disclaimer: Must be read in full prior to use**

Please read the present legal disclaimer fully before assembling, installing and using/servicing your Ooni 3 Gas Burner FSD attachment part in connection with your Ooni 3 oven. Failure to comply with all the provisions of the present legal disclaimer could result in property damage, serious bodily injury or even death, or in a fire causing damage to property.

1. When using Ooni 3 oven together with your Ooni 3 Gas Burner FSD attachment part, bear in mind that (i) the Ooni 3 Gas Burner FSD attachment part shall only be used with your Ooni which excludes any other appliance, and (ii) the entirety of the provisions of the Ooni 3 oven's Safety Legal Disclaimer also apply to the use of the your Ooni 3 Gas Burner FSD attachment part in addition to the provisions of the present safety legal disclaimer. You are strongly advised to not use your Ooni 3 oven with the Ooni 3 Gas Burner FSD attachment part until your Ooni 3 oven has been thoroughly and properly gas leak-tested.
2. Combustion by-products, produced when using the Ooni 3 oven with your Ooni 3 Gas Burner FSD attachment part, contain carbon and carbon monoxide in the flue gas of Ooni 3 Gas Burner FSD; these substances, if inhaled indoors or in any other unventilated area, are known as a possible cause of death through asphyxiation and/or carbon monoxide poisoning.
3. If Ooni 3 Gas Burner FSD does not light, turn knobs OFF, wait 5 minutes, and try again. Always close the gas valve during the 5 minute waiting period. If Ooni 3 Gas Burner FSD does not ignite with the valve open, gas will continue to flow out of Ooni 3 Gas Burner FSD and could accidentally ignite with risk of injury.
4. If a gas leak is detected at any time, STOP and call the fire department. Leaking propane may result in explosion, fire, severe personal injury, or death. If you smell gas (1) shut off gas to the appliance, (2) extinguish any open flame, (3) open door, and (4) If odour continues, keep away from your Ooni 3 oven and immediately call your gas supplier or your fire department. If you cannot stop a gas leak, immediately close LPG (propane) valve and call LP gas supplier or your fire department. If "growing" bubbles appear in the cylinder do not use or move the LPG (propane). Contact an LP gas supplier or your fire department.
5. Do not store or use gasoline or other flammable liquids or vapours in the vicinity of your Ooni 3 oven or any other appliance. Do not insert any tool or foreign object into the valve outlet or safety relief valve. You may damage the valve and cause a leak. Never attempt to attach your Ooni 3 Gas Burner FSD to the self-contained LP gas system of a camper trailer or motor home. Never operate your Ooni 3 oven with LPG (propane) in any other position other than that specified in assembly instructions. Always close LPG (propane) valve before moving LPG (propane) from specified operation position. Turn controls and gas source or tank OFF when not in use.
6. Use the Ooni 3 Gas Burner FSD, as purchased, only with LPG (propane) and the regulator/valve assembly supplied. Do not attempt to repair or alter the hose/valve/regulator for any "assumed" defect. Any modification to this assembly will create the risk of a gas leak and fire. Use only authorized replacement parts supplied by Ooni LIMITED. NEVER store a spare LPG (propane) under or near your Ooni 3 oven or in an enclosed area. An LPG (propane) not connected for use shall not be stored in the vicinity of your

Ooni 3 oven or any other appliance.

7. You shall use your Ooni 3 Gas Burner FSD attachment part, in connection with your Ooni 3 oven, only with pre-bottled LPG (propane).
8. Improperly stored LPG (propane) is a hazard due to possible gas release from the safety relief valve. This could cause an intense fire with risk of property damage, serious injury or death. If you see, smell or hear gas escaping, immediately move away from the LPG (propane) tank/appliance and call your fire department.

OONI LIMITED DOES NOT ACCEPT ANY RESPONSIBILITY, LEGAL OR OTHERWISE, FOR THE INCIDENTAL OR CONSEQUENTIAL DAMAGE TO PROPERTY OR PERSONS RESULTING FROM THE USE OF YOUR OONI 3 GAS BURNER FSD ATTACHMENT PART WHICH DOES/DID NOT COMPLY WITH ANY OF THE PROVISIONS OF THE PRESENT LEGAL DISCLAIMER.

OONI LIMITED SHALL IN NO EVENT BE LIABLE FOR ANY SPECIAL, INDIRECT, CONSEQUENTIAL OR OTHER DAMAGES OF ANY NATURE WHATSOEVER IN EXCESS OF THE ORIGINAL PURCHASE PRICE OF YOUR OONI 3 GAS BURNER FSD ATTACHMENT PART.

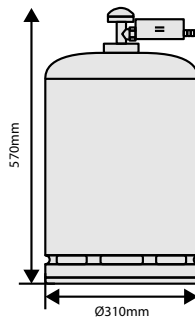
Some states or countries do not allow the exclusion or limitation of incidental or consequential damages, therefore such limitations or exclusions may not apply to you.

## **Safety Information**

- Read instructions in their entirety before using appliance.
- Only to be used outdoors.
- WARNING: accessible parts may be very hot.
- Keep away from young children.
- Do not move appliance during use.
- Ensure the gas supply is turned off at the cylinder after use.
- Do not modify the appliance.
- Parts sealed by the manufacturer or agent must not be manipulated by the user.
- Always use protective gloves when handling hot components.
- Storage of an appliance indoors is only permissible if the cylinder is disconnected and removed from

the appliance. When the appliance is not used for a period of time, it should be removed from the oven and stored in its original packaging in a dry dust free environment.

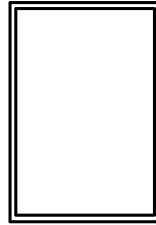
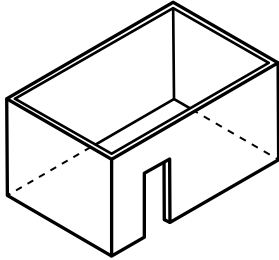
- CAUTION: All cleaning and maintenance should be carried out when the oven is cool and with the fuel supply turned OFF at the gas cylinder and disconnected.
- BEFORE USE CHECK APPLIANCE AND CONNECTIONS FOR LEAKS:  
Never check for leaks with a naked flame, always use a soapy water solution.  
Leak testing: Leak test each time a new gas tank is connected or after a long period without having used the appliance. Make sure that the valve is in correct alignment with the venturi. Make sure that the hose has no cracking or splitting. **IMPORTANT: if you cannot stop a gas leak, turn off the gas tank valve and call your local gas tank dealer or fire department.**
- The appliance must be kept away from any flammable materials during use.
- When changing the gas canister, ensure that the Ooni 3 Gas Burner FSD knob is turned to the off position, disconnect the regulator from the gas canister and remove the canister. Throughout this process, ensure that the canister is kept a minimum of 1 meter (3.5ft) away from the oven to avoid ignition risks.
- Use 6 kg to 13 kg gas tanks with a maximum height including the regulator of 570mm and a maximum diameter including the regulator of 310 mm. In case of smell of gas, close the gas container tap and test the airtightness.
- Regulator and Hose Requirements:  
The regulator used with your gas burner oven must be CE approved, and conform to local codes,



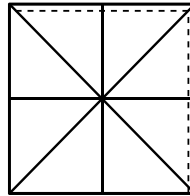
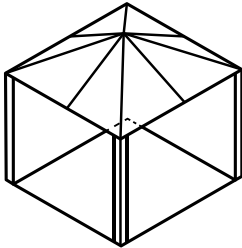
such as EN16129. Also the hose connected to the tank must be approved and conform to local codes. The length of the hose shall be no excess 1.5m (For Finland, it should be no excess 1.2m)

- If the ground temperature is above 50K, the surface needs protection.

## Diagrammatical Representation of Outdoor Areas



- *Outdoor Area - Example 1*



- *Outdoor Area - Example 2*

- This appliance shall only be used in an above ground open-air situation with natural ventilation, without stagnant areas, where gas leakage and products of combustion are rapidly dispersed by wind and natural convection.
- Any enclosure in which the appliance is used shall comply with one of the following: An enclosure with walls on all sides, but at least one permanent opening at ground level and no overhead cover.

Within a partial enclosure that includes an overhead cover and no more than two walls.

Within a partial enclosure that includes an overhead cover and more than two walls, the following shall apply:

- at least 25% of the total wall area is completely open; and
- at least 30% of the remaining wall area is open and unrestricted.

In the case of balconies, at least 20% of the total of the side, back and front wall areas shall be and remain open and unrestricted.

# Ooni 3 Gas Burner FSD

## Install hose pipe

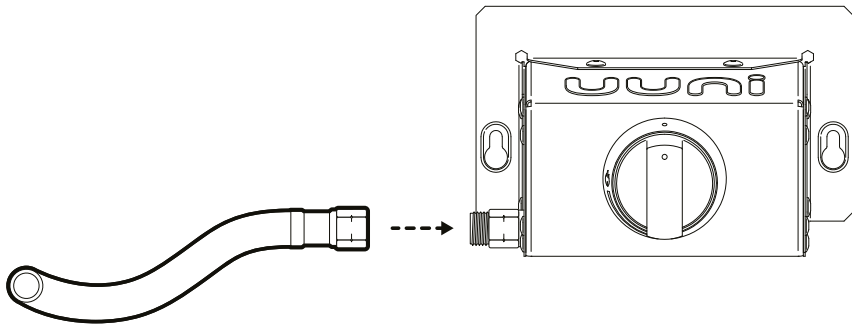
Parts required:

**Ooni 3 Gas  
Burner FSD  
Gas hose**

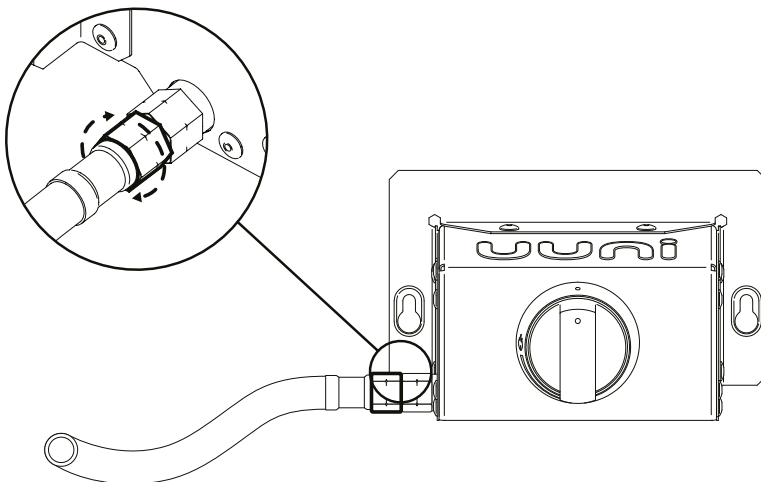
Tools required:

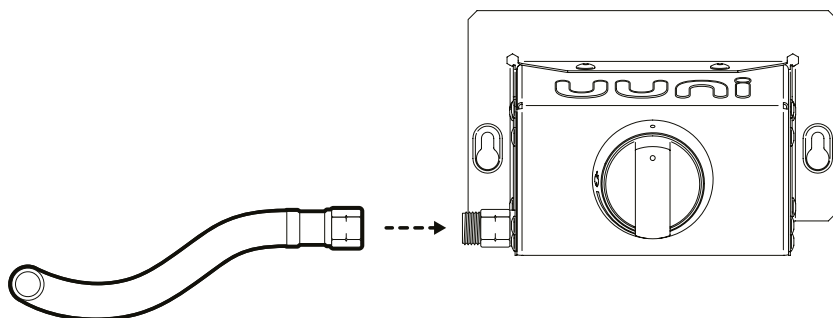
**Wrench x2**

**USA / CAN**

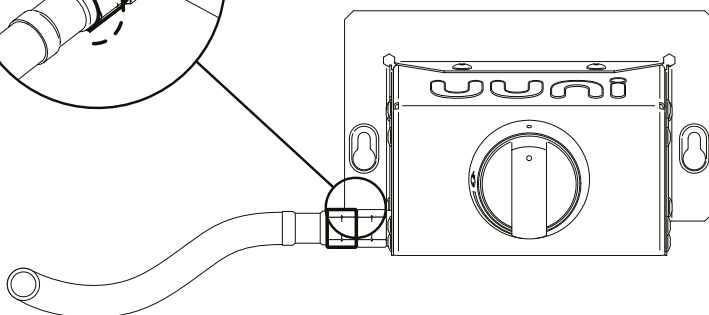
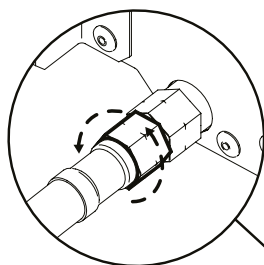


**tighten with  
suitable wrenches**





tighten with  
suitable wrenches

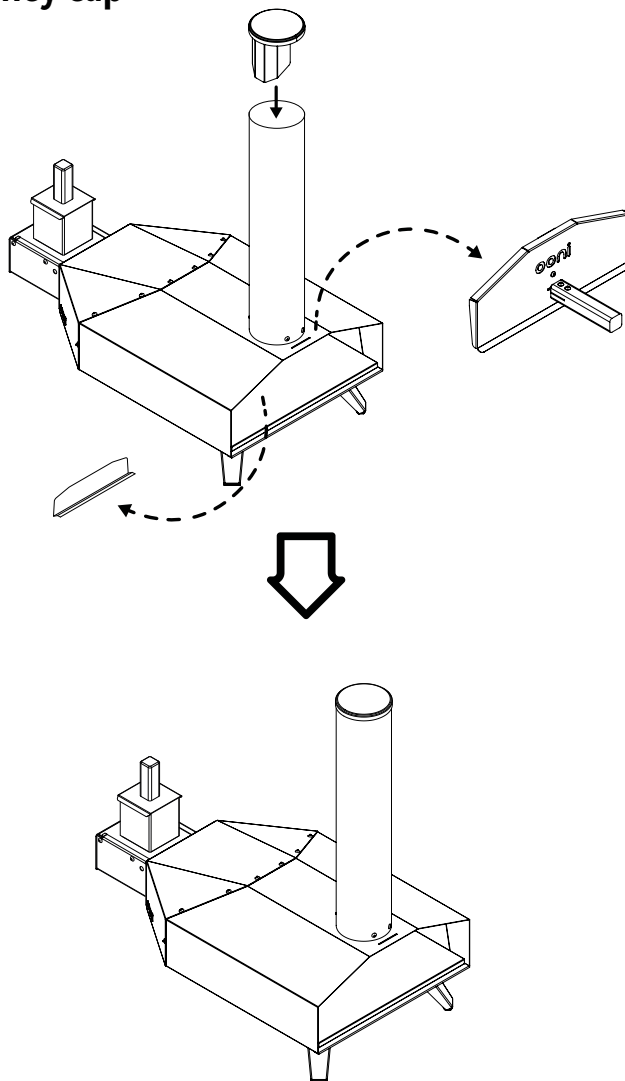




# Step 1

Remove the door, flame guard  
and fit chimney cap

Parts required:  
Assembled Ooni 3 with  
Ooni 3 Gas  
Burner FSD

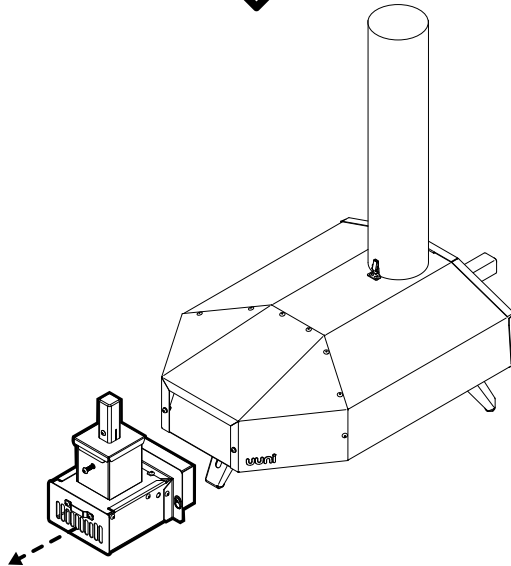
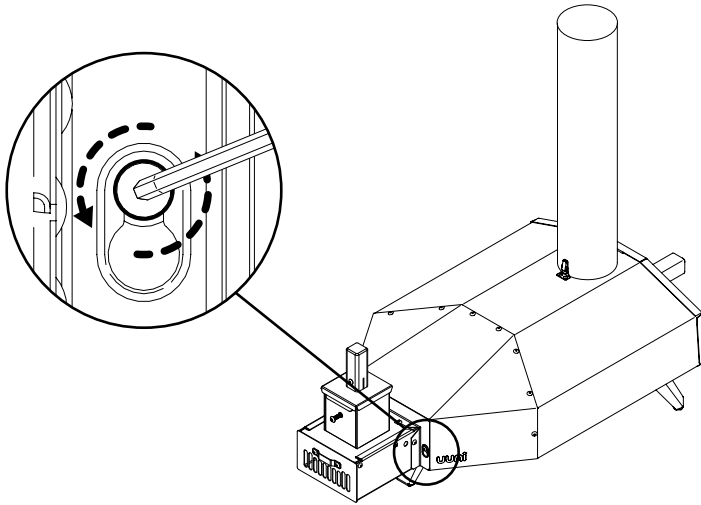


**Warning** The door should be removed at all times during use with the Ooni 3 Gas Burner FSD

# Step 2

## Remove pellet burner

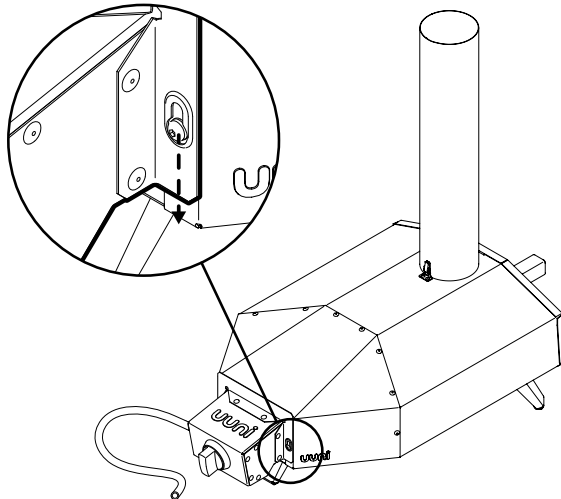
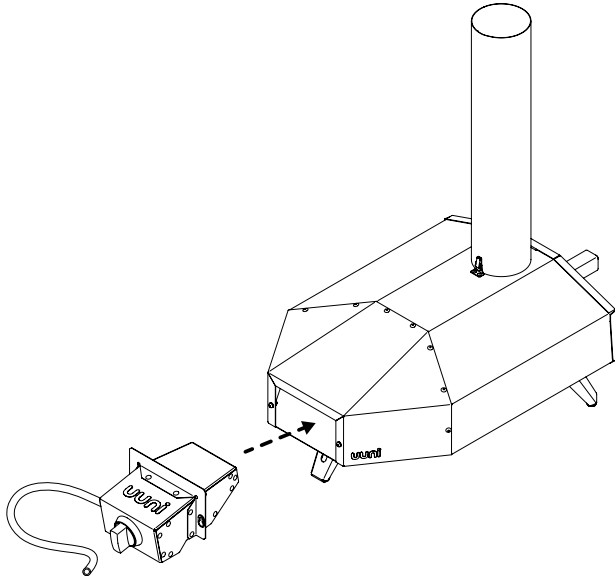
Parts required:  
**Assembled Oni 3**  
**Allen key**



# Step 3

## Install Ooni 3 Gas Burner FSD

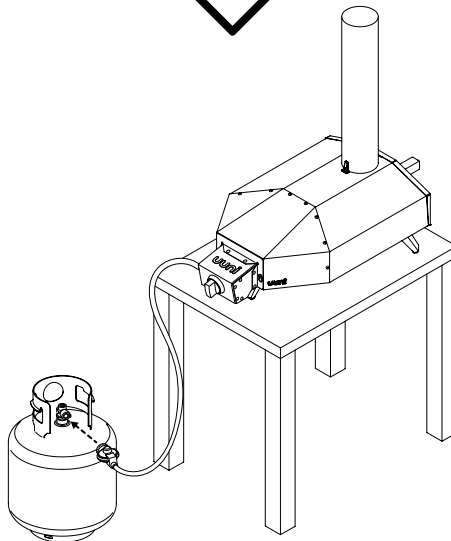
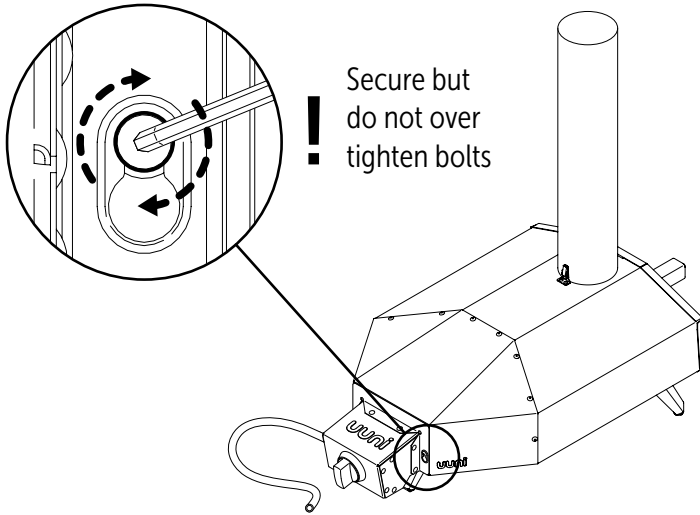
Parts required:  
Assembled Ooni 3  
Ooni 3 Gas  
Burner FSD

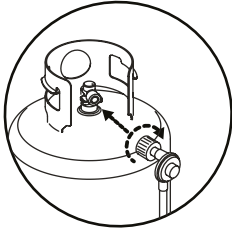


# Step 4

## Secure Ooni 3 Gas Burner FSD

Parts required:  
**Assembled Ooni 3 with  
Ooni 3 Gas  
Burner FSD  
Allen key  
Gas bottle**



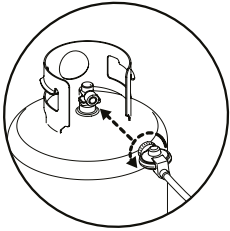


## QCC1 gas regulator

This is a clockwise threaded gas fitting. Ensure the tank is fully turned off and screw the regulator on to the gas tank valve fitting until tight.

## Gas Safety Information

- The appliance must be installed at least 3.5ft (1 meter) from any flammable materials.
- The oven should be placed on a non-flammable, stable and flat surface.
- Make sure your oven is placed in an area that will not be affected by adverse weather.
- When the diameter of the injector is 0.83mm use the provided 11 WC (28mbar) regulator with Propane LPG cylinder.
- An LPG cylinder shall be of a maximum nominal 20 lb (9.1 kg) fuel capacity.
- Use a suitable provided regulator certified to ANSI Z21.18/CSA 6.3 and a flexible hose certified to ANSI Z21.54/CSA 8.4.
- The regulator shall be installed in such a location that it will not attain a temperature above 130°F (54.5°C)
- The length of the hose must be no more than 2 ft (61cms). Worn or damaged hose must be replaced. Ensure that the hose is not obstructed, kinked, or in contact with any part of the oven other than at its connection.
- The gas supply hose should be checked periodically and should be replaced if damaged and at least every two years.
- Check all connections for gas soundness.
- Your country's national requirements will advise you how often to replace the hose. Regularly review these requirements for your country.
- In the case of blocked venturi immediately turn off burner unit, turn off gas supply, disconnect gas supply and wait until cooled to removed from oven.
- Ensure the appliance is clear of debris before every use. If any debris does build up use a brush to remove this when appliance has cooled.



## POL gas regulator

This is an anticlockwise threaded gas fitting. Ensure the tank is fully turned off and screw the regulator on to the gas tank valve fitting until tight.

## Gas Safety Information

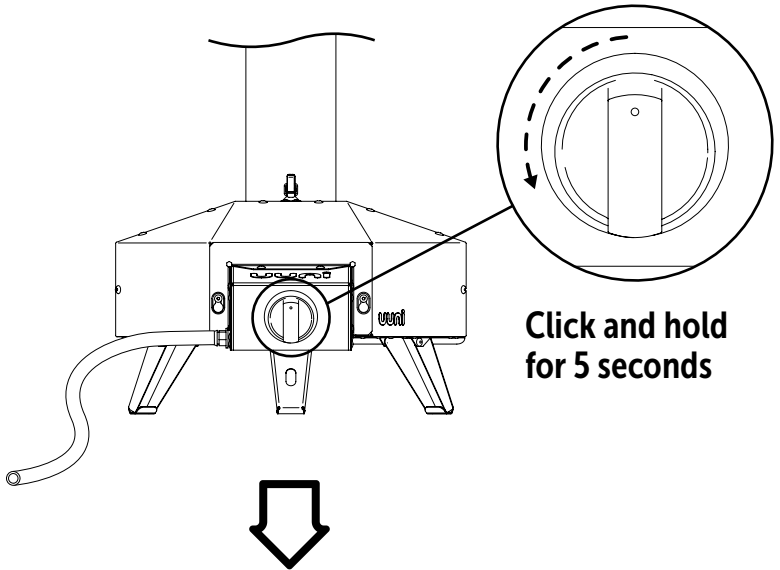
- The appliance must be installed at least 1 meter from any flammable materials.
- The oven should be placed on a non-flammable, stable and flat surface.
- Make sure your oven is placed in an area that will not be affected by adverse weather.
- When the diameter of the injector is 0.83mm use the provided 28mbar regulator with Propane LPG cylinder.
- Appliance only to be used with Propane LPG. Minimum cylinder capacity 4kg maximum cylinder capacity 13kg.
- Use a suitable provided regulator certified to AS 4621 and a flexible hose certified to AS/NZ 1869.
- The length of the hose must be no more than 1.5 meters. Worn or damaged hose must be replaced. Ensure that the hose is not obstructed, kinked, or in contact with any part of the oven other than at its connection.
- The gas supply hose should be checked periodically and should be replaced if damaged and at least every two years.
- Check all connections for gas soundness.
- Your country's national requirements will advise you how often to replace the hose. Regularly review these requirements for your country.
- In the case of blocked venturi immediately turn off burner unit, turn off gas supply, disconnect gas supply and wait until cooled to removed from oven.
- Ensure the appliance is clear of debris before every use. If any debris does build up use a brush to remove this when appliance has cooled.

# Step 5

## Igniting your burner

Push in and slowly turn the control knob anticlockwise until you hear a click and the burner ignites. Continue to push and hold in the knob for 5 seconds before releasing.

Parts required:  
**Assembled Ooni 3 with  
Ooni 3 Gas  
Burner FSD**

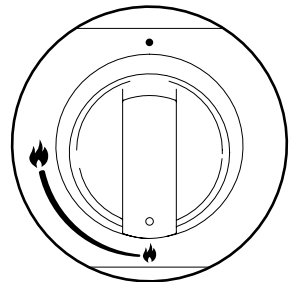
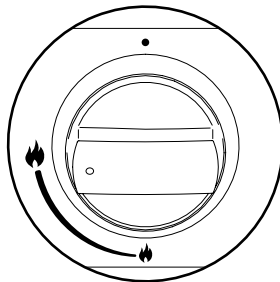
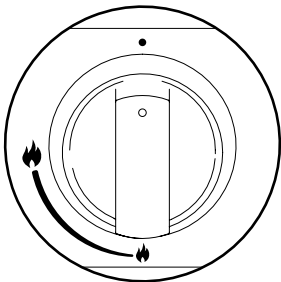


**Click and hold  
for 5 seconds**

Off

Max. power

Min. power



# Step 6

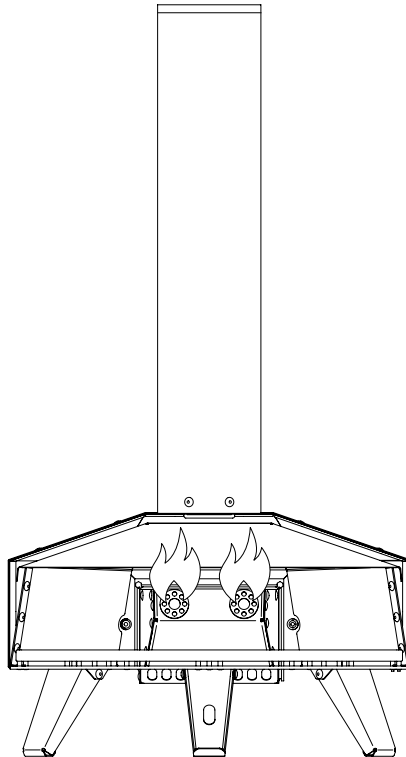
## Verify that Ooni 3 Gas Burner FSD is on

If not, turn off the gas and go back to Step 5

If Ooni 3 Gas Burner FSD still does not ignite go to Step 7

Parts required:

**Assembled Ooni 3 with  
Ooni 3 Gas  
Burner FSD**



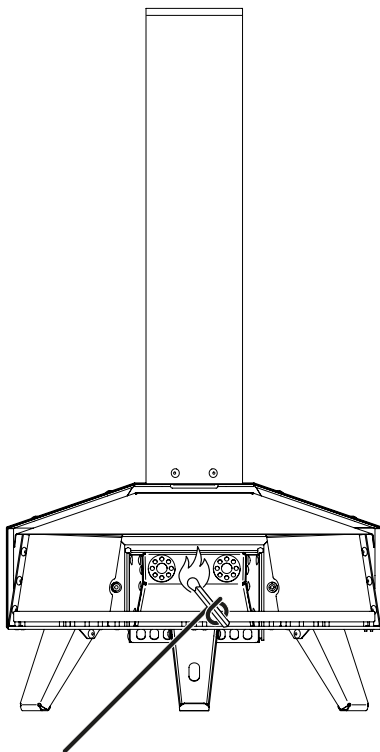


# Step 7

## If Ooni 3 Gas Burner FSD still does not ignite

Turn the gas on and light using a match and the supplied match holder through the front of the oven

Parts required:  
**Assembled Ooni 3 with  
Ooni 3 Gas  
Burner FSD  
Match holder**





You can now set the required power level

**If the flames go out turn off the gas and wait 5 minutes before reigniting**

## Product Technical Information

### Product label

 <b>Ooni Limited, Unit 5, Bishopsgate Business Centre, 189 West Main Street, Broxburn, UK. EH52 5LH</b>	
Ooni 3 Gas Burner FSD	5.0 kW (357 g/h)
2531CT-0100	Propane (G31)
US & CANADA Model	
<p>a) Use outdoors only. b) Read the instructions before using the appliance. <b>WARNING:</b> accessible parts may be very hot. Keep young children away.</p> 	
<p>This appliance must be kept away from flammable materials during use. Do not move the appliance during use. Turn off the gas supply at the gas cylinder after use. Do not modify the appliance. <b>WARNING:</b> Use only with the door off and chimney cap on. <b>WARNING:</b> If flames go out, turn off the gas supply and wait 5 minutes before reigniting. Exercise caution when cooking with gas.</p> <p style="text-align: right;"><a href="http://ooni.com">ooni.com</a></p>	

### Injectors

<b>INJECTOR MARKING</b>	0.83 mm
<b>MARKING</b>	(MARKED 0.83)

**Model number: Ooni 3 GAS BURNER FSD**

#### **WARNING:**

DO NOT SPRAY AEROSOLS IN THE VICINITY OF THIS APPLIANCE WHILE IT IS IN OPERATION.  
DO NOT USE OR STORE FLAMMABLE MATERIALS IN OR NEAR THIS APPLIANCE.  
DO NOT PLACE ARTICLES ON OR AGAINST THIS APPLIANCE. DO NOT MODIFY THIS APPLIANCE



# Translation - FRA

## Page i

Pour utilisation avec du gaz GPL (propane) uniquement.

Utiliser uniquement avec le détendeur de gaz fourni.

Enregistrez votre Brûleur à gaz Ooni 3 FSD sur [ooni.com](http://ooni.com).

Pour obtenir le guide d'utilisation complet, des instructions de cuisson, des trucs et astuces, visitez [ooni.com](http://ooni.com)

## Page 1

### **Mentions Légales de Sécurité : à lire en totalité avant utilisation**

Veuillez lire attentivement la présente notice d'utilisation avant d'assembler, d'installer et d'utiliser ou entretenir votre Brûleur à gaz Ooni 3 FSD (Flame Safety Device - Dispositif de Surveillance de Flamme) en connexion avec votre four Ooni Pro. Le non-respect de toutes les dispositions de la présente notice pourrait entraîner des dommages matériels, des blessures corporelles graves ou même la mort, ou un incendie causant des dommages matériels.

Lorsque vous utilisez le four Ooni Pro avec votre Brûleur à gaz Ooni 3 FSD, gardez à l'esprit que (i) le Brûleur à gaz Ooni 3 FSD ne peut être utilisé qu'avec votre four Ooni et avec aucun autre appareil, et que (ii) l'intégrité des dispositions des Mentions Légales de Sécurité du four Ooni Pro s'appliquent également à l'utilisation de votre Brûleur à gaz Ooni 3 FSD, en plus des dispositions de la présente notice de sécurité. Il est fortement déconseillé d'utiliser votre four Ooni Pro avec le Brûleur à gaz Ooni 3 FSD tant que votre four Ooni Pro n'a pas fait l'objet d'un test d'étanchéité au gaz complet et adéquat.

Les sous-produits de combustion, produits lors de l'utilisation du four Ooni Pro avec votre Brûleur à gaz Ooni 3 FSD, contiennent du carbone et du monoxyde de carbone dans le gaz de combustion du Brûleur à gaz Ooni 3 FSD ; ces substances, si elles sont inhalées à l'intérieur ou dans toute autre zone non ventilée, sont connues comme une cause possible de décès par asphyxie et/ou empoisonnement au monoxyde de carbone.

Si le Brûleur à gaz Ooni 3 FSD ne s'allume pas, positionnez les boutons en position éteinte, attendez 5 minutes et réessayez. Fermez toujours la vanne de gaz

pendant le temps d'attente de 5 minutes. Si le Brûleur à gaz Ooni 3 FSD ne s'allume pas avec la vanne ouverte, le gaz continuerait à s'écouler hors du Brûleur à gaz Ooni 3 FSD et pourrait s'enflammer accidentellement, entraînant un risque de blessure.

Si une fuite de gaz est détectée à n'importe quel moment, ARRETEZ et appelez les pompiers. Les fuites de propane peuvent entraîner des explosions, incendies, blessures graves ou la mort. Si vous sentez une odeur de gaz (1) coupez le gaz de l'appareil, (2) éteignez toute flamme nue, (3) ouvrez la porte et (4) Si l'odeur persiste, éloignez-vous de votre four Ooni Pro et appelez immédiatement votre fournisseur de gaz ou les pompiers. Si vous ne pouvez pas arrêter une fuite de gaz, fermez immédiatement la vanne de GPL (propane) et appelez le fournisseur de GPL ou les pompiers. Si des bulles « grossissantes » apparaissent dans la bouteille, n'utilisez pas ou ne déplacez pas la bouteille de GPL (propane). Contactez un fournisseur de GPL ou les pompiers.

Ne stockez pas ou n'utilisez de l'essence ou d'autres liquides ou vapeurs inflammables à proximité de votre four Ooni Pro ou de tout autre appareil. N'insérez d'outil ou de corps étranger dans la vanne de sortie ni dans la vanne de sûreté. Vous risqueriez d'endommager la vanne et de provoquer une fuite. N'essayez jamais de connecter votre Brûleur à gaz Ooni 3 FSD au système autonome GPL d'une caravane ou d'un camping-car. N'utilisez jamais votre four Ooni Pro avec du GPL (propane) dans une autre position que celle spécifiée dans les instructions de montage. Refermez toujours la vanne de la bouteille de GPL (propane) avant de déplacer la bouteille de GPL (propane) de la position de fonctionnement spécifiée. Eteignez les boutons de commande et coupez la source de gaz ou fermez la vanne de la bouteille lorsque l'installation n'est pas en fonctionnement.

Utilisez le Brûleur à gaz Ooni 3 FSD tel qu'acheté, uniquement avec du GPL (propane) et avec l'ensemble détendeur/vanne fourni. N'essayez pas de réparer ni de modifier le flexible, la vanne ou le détendeur en cas de défaut « présumé ». Toute modification de cet assemblage entraînerait un risque de fuite de gaz et d'incendie. Utilisez uniquement des pièces de rechange autorisées fournies par Ooni LIMITED. N'entreposez

JAMAIS de bouteille de GPL (propane) de recharge sous ou à proximité de votre four Ooni Pro ni dans un endroit fermé. Une bouteille de GPL (propane) non connectée ne doit pas être stockée à proximité de votre four Ooni Pro ou de tout autre appareil.

Vous devez utiliser votre Brûleur de gaz Ooni-Pro FSD connecté à votre four Ooni Pro uniquement avec du GPL (propane) pré-embouteillé.

Une bouteille de GPL (propane) mal entreposée constitue un danger en raison du dégagement possible de gaz par la vanne de sûreté. Ceci pourrait causer un incendie intense avec un risque de dommages matériels, de blessures graves ou de mort. Si vous voyez, sentez ou entendez du gaz s'échapper, éloignez-vous immédiatement de la bouteille de GPL (propane)/de l'appareil et appelez les pompiers.

Ooni LIMITED N'ACCEPTÉ AUCUNE RESPONSABILITÉ, JURIDIQUE OU AUTRE, POUR LES DOMMAGES INCIDENTAUX OU CONSÉQUENTIELS CAUSÉS À LA PROPRIÉTÉ OU AUX PERSONNES QUI RESULTERAIENT D'UNE UTILISATION DE VOTRE BRÛLEUR À GAZ OONI 3 FSD NON CONFORME À L'UNE QUELCONQUE DES DISPOSITIONS DE LA PRÉSENTE NOTICE.

Ooni LIMITED NE PEUT EN AUCUN CAS ÊTRE TENU POUR RESPONSABLE DES DOMMAGES SPÉCIAUX, INDIRECTS, CONSÉQUENTIELS OU AUTRES DOMMAGES DE QUELQUE NATURE QU'ILS SOIENT AU-DELA DU PRIX D'ACHAT ORIGINAL DE VOTRE BRÛLEUR À GAZ OONI 3 FSD.

Certains états ou pays ne permettent pas l'exclusion ou la limitation des dommages incidentaux ou consécutifs, en conséquence, ces limitations ou exclusions peuvent ne pas s'appliquer à votre cas.

## Page 2-3

### Renseignements sur la Sécurité

Lire le mode d'emploi dans son intégralité avant d'utiliser l'appareil.

A n'utiliser qu'en extérieur.

AVERTISSEMENT : les parties accessibles peuvent être très chaudes.

Tenir hors de portée des jeunes enfants.

Ne pas déplacer l'appareil pendant son utilisation.

S'assurer que l'alimentation en gaz soit coupée au niveau de la bouteille après utilisation.

Ne pas modifier l'appareil.

Les pièces scellées par le fabricant ou l'agent ne doivent pas être manipulées par l'utilisateur.

Toujours utiliser des gants de protection lors de la manipulation de composants chauds.

Le stockage d'un appareil à l'intérieur n'est admissible que si la bouteille est déconnectée et retirée de l'appareil. Lorsque l'appareil n'est pas utilisé pendant un certain temps, il doit être retiré du four et stocké dans son emballage d'origine, dans un environnement sec et sans poussière.

ATTENTION : Tous les travaux de nettoyage et d'entretien doivent être effectués lorsque le four est froid et que l'alimentation en combustible est coupée au niveau de la bouteille de gaz et déconnectée.

AVANT UTILISATION, VÉRIFIER L'APPAREIL ET LES CONNEXIONS POUR DÉTECTER LES FUITES: Ne jamais chercher à détecter les fuites avec une flamme nue, toujours utiliser une solution d'eau savonneuse.

Test d'étanchéité : Contrôler l'étanchéité chaque fois qu'un nouveau réservoir de gaz est raccordé ou après une longue période sans utilisation de l'appareil. S'assurer que la vanne est correctement alignée avec le venturi. S'assurer que le flexible ne présente pas de déchirures ou de fissures. IMPORTANT : si vous ne pouvez pas arrêter une fuite de gaz, fermez la vanne de la bouteille de gaz et appelez votre revendeur local de gaz ou les pompiers.

L'appareil doit être tenu à l'écart de tout matériau inflammable pendant l'utilisation.

Lorsque vous changez la bouteille de gaz, assurez-vous que le bouton du Brûleur à gaz Ooni est en position d'arrêt, débranchez le détendeur de la bouteille de gaz et retirez la bouteille. Tout au long de ce processus, assurez-vous que la bouteille soit maintenue à une distance minimale de 1 m du four pour éviter les risques d'inflammation.

Utiliser des réservoirs de gaz de 6 kg à 13 kg d'une hauteur maximale, y compris le régulateur, de 570 mm et d'un diamètre maximal, y compris le régulateur, de 310 mm. En cas d'odeur de gaz, fermez le robinet du réservoir de gaz et testez l'étanchéité à l'air.

Exigences de régulateur et de tuyau:

Le régulateur utilisé avec votre four à gaz doit être homologué CE et conforme aux codes locaux, tels que EN16129. De plus, le tuyau relié au réservoir doit être approuvé et conforme aux codes locaux. La longueur du tuyau ne doit pas dépasser 1.5 m (pour la Finlande, il ne doit pas dépasser 1.2 m)

Si la température du sol est supérieure à 50K, la surface doit être protégée.

#### Page 4

##### Représentation Schématique des Espaces Extérieurs

Espace Extérieur - Exemple 1

Espace Extérieur - Exemple 2

Cet appareil doit être utilisé uniquement en terrain découvert bénéficiant d'une circulation d'air et d'une ventilation naturelle, sans zones stagnantes, où les fuites de gaz et les produits de combustion sont rapidement dispersés par le vent et la convection naturelle.

Toute enceinte dans laquelle l'appareil est utilisé doit être conforme à l'un des points suivants : Une enceinte avec des murs de tous les côtés, mais au moins une ouverture permanente au niveau du sol et pas de toit.

A l'intérieur d'une enceinte partielle qui comprend un toit et pas plus de deux murs.

A l'intérieur d'une enceinte partielle comprenant un toit et plus de deux murs, les dispositions suivantes s'appliquent :

(i) au moins 25 % de la superficie totale des murs doit être complètement ouverte ; et

(ii) au moins 30 % de la superficie restante des murs doit être ouverte et dégagée.

Dans le cas des balcons, au moins 20 % de la surface totale des murs latéraux, arrière et avant doivent être et rester ouverts et dégagés.

#### Page 5 & 6

##### Installez le tuyau flexible

Pièces nécessaires :

Tuyau flexible

Outils requis:

clé à écrous

Serrer avec une clé appropriée

#### Page 7 - Étape 1

##### Enlever la porte et monter le chapeau de cheminée

Pièces nécessaires:

Ooni assemblé avec le brûleur à gaz Ooni 3 FSD

Mise en garde: La trappe doit être retirée en tout temps pendant l'utilisation du brûleur à gaz Ooni 3 FSD.

#### Page 8 - Étape 2

##### Retirer le brûleur à granulés

Pièces nécessaires:

Ooni 3 assemblé

Clé Allen

#### Page 9 - Étape 3

##### Installer le brûleur à gaz Ooni 3 FSD

Pièces nécessaires:

Ooni 3 assemblé

Le brûleur à gaz Ooni 3 FSD

Vis M5 10 mm x 2"

#### Page 10 - Étape 4

##### Sécuriser le brûleur à gaz Ooni 3 FSD

Pièces nécessaires:

Ooni 3 assemblé

Le brûleur à gaz Ooni 3 FSD

Clé Allen

Bouteille de gaz

Fixez mais ne serrez excessivement les boulons

#### Page 11

##### Régulateur de gaz QCC1

Ceci est un raccord à gaz fileté dans le sens des aiguilles d'une montre. Il faut s'assurer que la bouteille de gaz est complètement fermée. Visser le régulateur sur le robinet de la bouteille de gaz jusqu'au bout.

Renseignements de Sécurité relatifs au Gaz

L'appareil doit être installé à au moins 3.5ft (1 mètre) de tout matériau inflammable.

Le four doit être placé sur une surface non inflammable, stable et plate.

Assurez-vous que votre four soit placé dans une zone qui ne sera pas affectée par les intempéries.

Lorsque le diamètre de l'injecteur est de 0,96 mm, utiliser le détendeur de 11 WC (28 mbar) fourni avec la bouteille de propane GPL.

Une bonbonne de GPL doit avoir une capacité nominale maximale de 9,1 kg (20 lb).

Utilisez un régulateur certifié ANSI Z21.18/CSA 6.3 et un tuyau flexible certifié ANSI Z21.54/ CSA 8.4.

Le régulateur doit être installé dans un endroit où la température ne doit pas dépasser 54,5 °C (130 °F)

La longueur du tuyau flexible ne doit pas dépasser 2 ft (61cms). Les tuyaux usés ou endommagés doivent être remplacés. Assurez-vous que le tuyau ne soit pas obstrué, plié ou en contact avec une partie du four autre qu'à son raccordement.

Le tuyau flexible d'alimentation en gaz doit être vérifié périodiquement et remplacé s'il est endommagé, et au moins tous les deux ans.

Vérifiez la solidité de tous les raccords de gaz.

Les exigences nationales de votre pays vous indiqueront la fréquence de remplacement du tuyau flexible. Examinez régulièrement ces exigences pour votre pays.

En cas de blocage du venturi, éteignez immédiatement le brûleur, coupez l'alimentation en gaz, déconnectez l'alimentation en gaz et attendez qu'il ait refroidi pour le retirer du four.

Assurez-vous que l'appareil soit exempt de débris avant chaque utilisation. Si des débris s'accumulent, utilisez une brosse pour les enlever lorsque l'appareil est froid.

## **Page 12** **Détendeur de gaz POL**

Ce détendeur de gaz dispose d'un raccord qui se fixe dans le sens inverse des aiguilles d'une montre. Assurez-vous que la bouteille soit complètement fermée et vissez fermement le détendeur sur le raccord de la vanne de la bouteille de gaz.

Renseignements de Sécurité relatifs au Gaz

L'appareil doit être installé à au moins 1 mètre de tout matériau inflammable.

Le four doit être placé sur une surface non inflammable, stable et plate.

Assurez-vous que votre four soit placé dans une zone qui ne sera pas affectée par les intempéries.

Lorsque le diamètre de l'injecteur est de 0,96 mm, utiliser le détendeur de 28 mbar fourni avec la bouteille de propane GPL.

L'appareil ne doit être utilisé qu'avec du propane GPL. Capacité minimale de la bouteille : 4 kg – Capacité maximale de la bouteille : 13 kg.

Utilisez un détendeur approprié et certifié AS 4621 et un tuyau flexible certifié AS/NZ 1869.

La longueur du tuyau flexible ne doit pas dépasser 1,5 mètre. Les tuyaux usés ou endommagés doivent être remplacés. Assurez-vous que le tuyau ne soit pas obstrué, plié ou en contact avec une partie du four autre qu'à son raccordement.

Le tuyau flexible d'alimentation en gaz doit être vérifié périodiquement et remplacé s'il est endommagé, et au moins tous les deux ans.

Vérifiez la solidité de tous les raccords de gaz.

Les exigences nationales de votre pays vous indiqueront la fréquence de remplacement du tuyau flexible. Examinez régulièrement ces exigences pour votre pays.

En cas de blocage du venturi, éteignez immédiatement le brûleur, coupez l'alimentation en gaz, déconnectez

l'alimentation en gaz et attendez qu'il ait refroidi pour le retirer du four.

Assurez-vous que l'appareil soit exempt de débris avant chaque utilisation. Si des débris s'accumulent, utilisez une brosse pour les enlever lorsque l'appareil est froid.

## **Page 13 - Étape 5** **Allumer votre brûleur**

Enfoncez et tournez lentement le bouton de commande dans le sens antihoraire jusqu'à ce que vous entendiez un déclic et que le brûleur s'allume. Continuez à appuyer sur le bouton pendant 5 secondes avant de le relâcher.

Pièces nécessaires:

Ooni assemblé avec le brûleur à gaz Ooni 3 FSD

Eteint, Puissance maximale, Puissance minimale

## **Page 14 - Étape 6** **Vérifier si le brûleur à gaz Ooni 3 FSD est allumé**

Pièces nécessaires:

Ooni assemblé avec le brûleur à gaz Ooni 3 FSD

Si ce n'est pas le cas, couper l'arrivée de gaz et revenir à l'étape 5

Si le brûleur à gaz Ooni 3 FSD ne s'allume toujours pas, passer à l'étape 7

## **Page 15 - Étape 7** **Si le brûleur à gaz Ooni 3 FSD ne s'allume toujours pas**

Pièces nécessaires:

Ooni assemblé avec le brûleur à gaz Ooni 3 FSD

Support à allumette

Ouvrir l'arrivée de gaz et rallumer le brûleur à l'aide d'une allumette que vous attachez au support à allumette livré et que vous faites passer à travers l'ouverture située sur la face avant du four

Vous pouvez maintenant régler le niveau de puissance requis

Si les flammes s'éteignent, coupez le gaz et attendez 5 minutes avant de rallumer

## **Page 16 - Informations Techniques sur le Produit**

Étiquette du produit

Utiliser uniquement en extérieur.

Lire les instructions avant d'utiliser l'appareil.

AVERTISSEMENT : les parties accessibles peuvent être très chaudes. Tenir les jeunes enfants à l'écart.

Cet appareil doit être tenu à l'écart des matériaux inflammables pendant l'utilisation.

Ne déplacez pas l'appareil pendant l'utilisation.

Eteignez l'alimentation en gaz au niveau de la bouteille de gaz après utilisation.

Ne modifiez pas l'appareil.

AVERTISSEMENT : N'utilisez que la porte pour pizza que lorsque le Brûleur à gaz Ooni-Pro est allumé. La porte avec thermomètre ne doit pas être utilisée.

AVERTISSEMENT : Si des flammes sortent, coupez l'alimentation en gaz et attendez 5 minutes avant de rallumer.

Soyez prudent lorsque vous cuisinez au gaz

Injecteurs

MARQUAGE DES INJECTEURS

MARQUAGE.

Ooni est une marque déposée de Ooni Ltd. Tous droits réservés.

#### **AVERTISSEMENT**

NE PAS UTILISER D'AEROSOLS A PROXIMITE DE CET APPAREIL PENDANT SON FONCTIONNEMENT.

NE PAS UTILISER NI ENTREPOSER DE MATERIAUX INFLAMMABLES A L'INTERIEUR OU A PROXIMITE DE CET APPAREIL.

NE PLACEZ PAS D'ARTICLES SUR OU CONTRE CET APPAREIL. NE PAS MODIFIER CET APPAREIL.

ooni



ooni.com

© 2019 Ooni

Ooni is a registered trademark of  
Ooni Limited. All rights reserved

USA v1.0